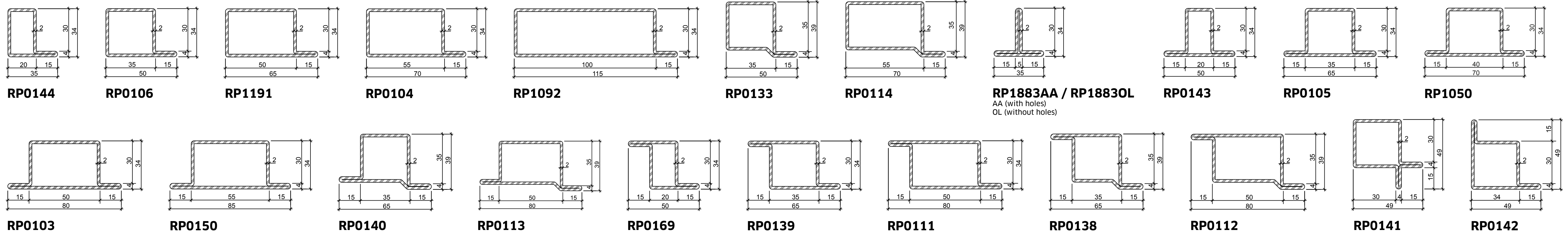
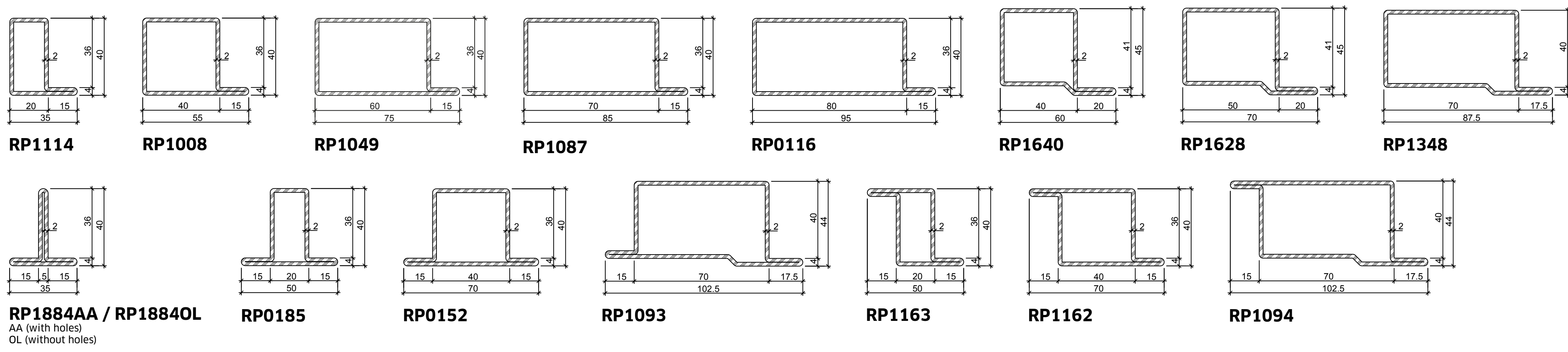


Standard range

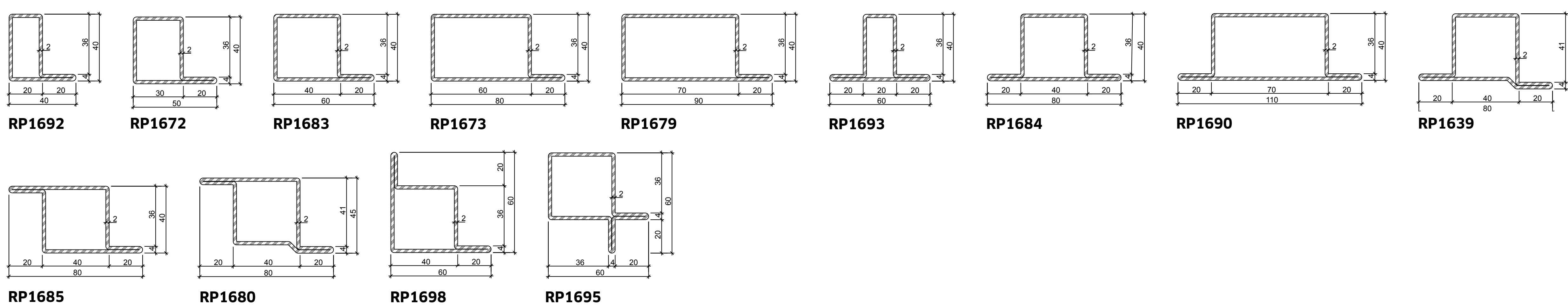
Construction height 34 mm with 15 mm profile lip



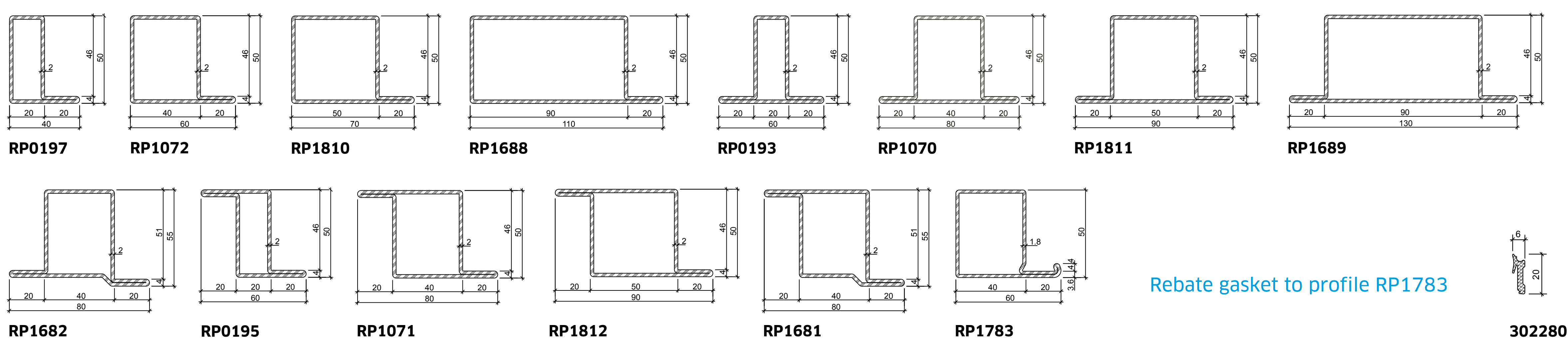
Construction height 40 mm with 15 mm profile lip



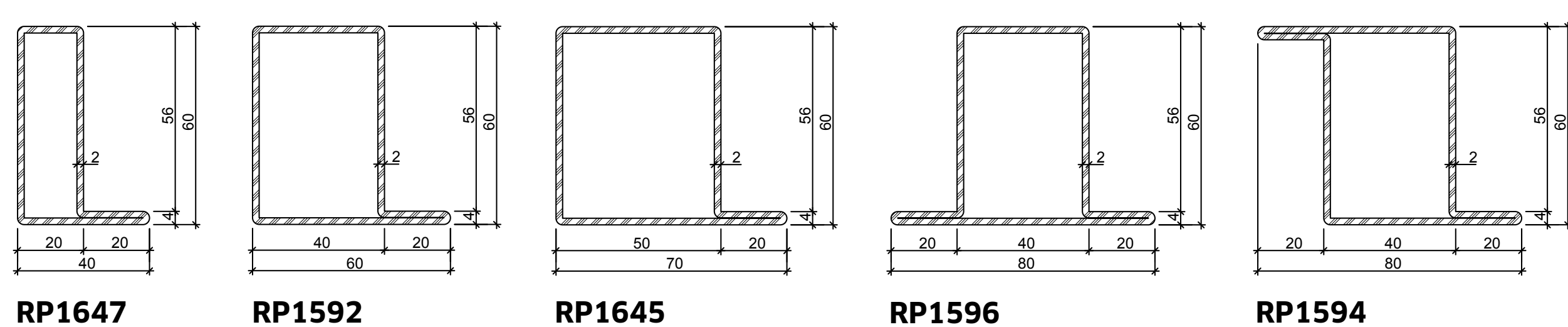
Construction height 40 mm with 20 mm profile lip



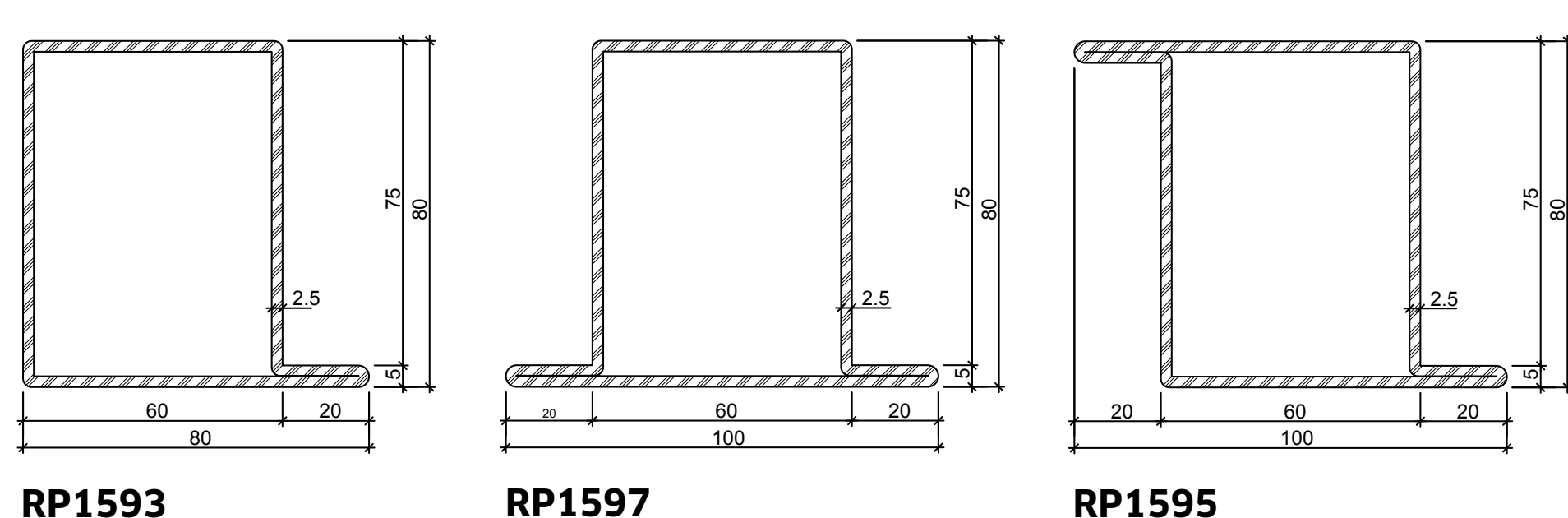
Construction height 50 mm with 20 mm profile lip



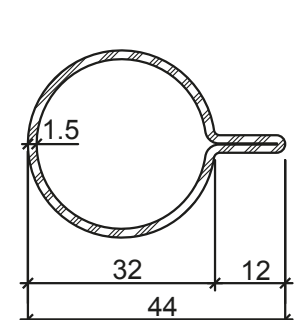
Construction height 60 mm with 20 mm profile lip



Construction height 80 mm with 20 mm profile lip



Special profile



RP0202

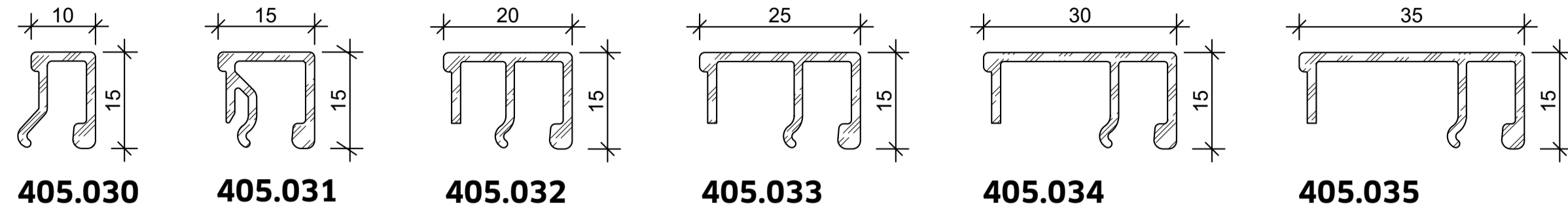
Surface / material of profiles

Part no.: Without ending in Z = bright steel
 With ending in Z = strip galvanised steel

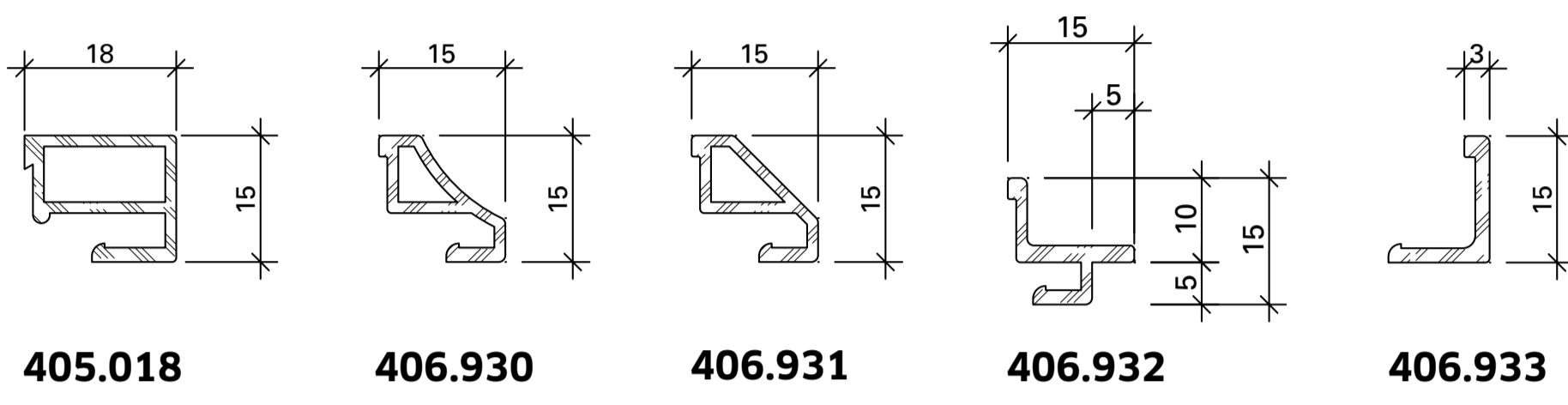


Standard range of glazing beads

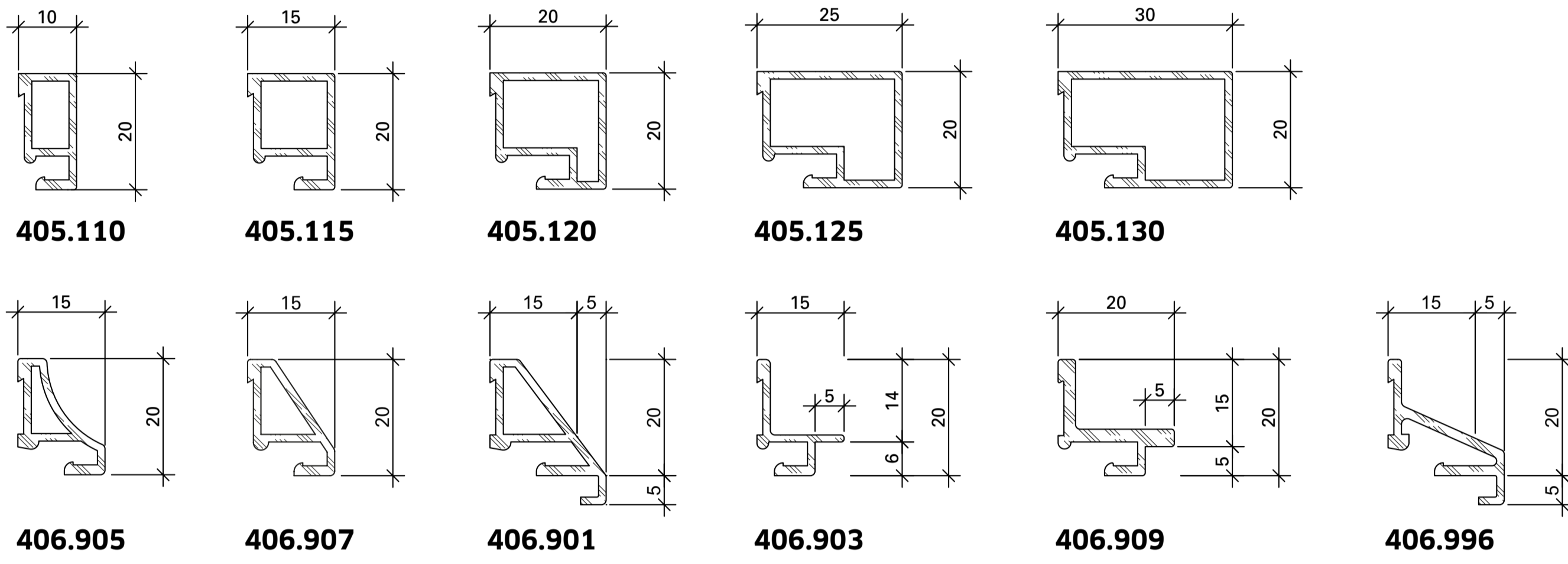
Glazing beads* in aluminum - height 15 mm



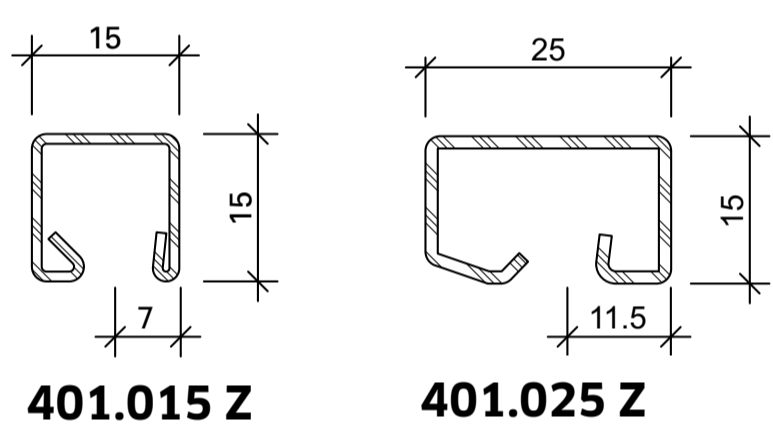
Design-glazing beads* in aluminum - height 15 mm



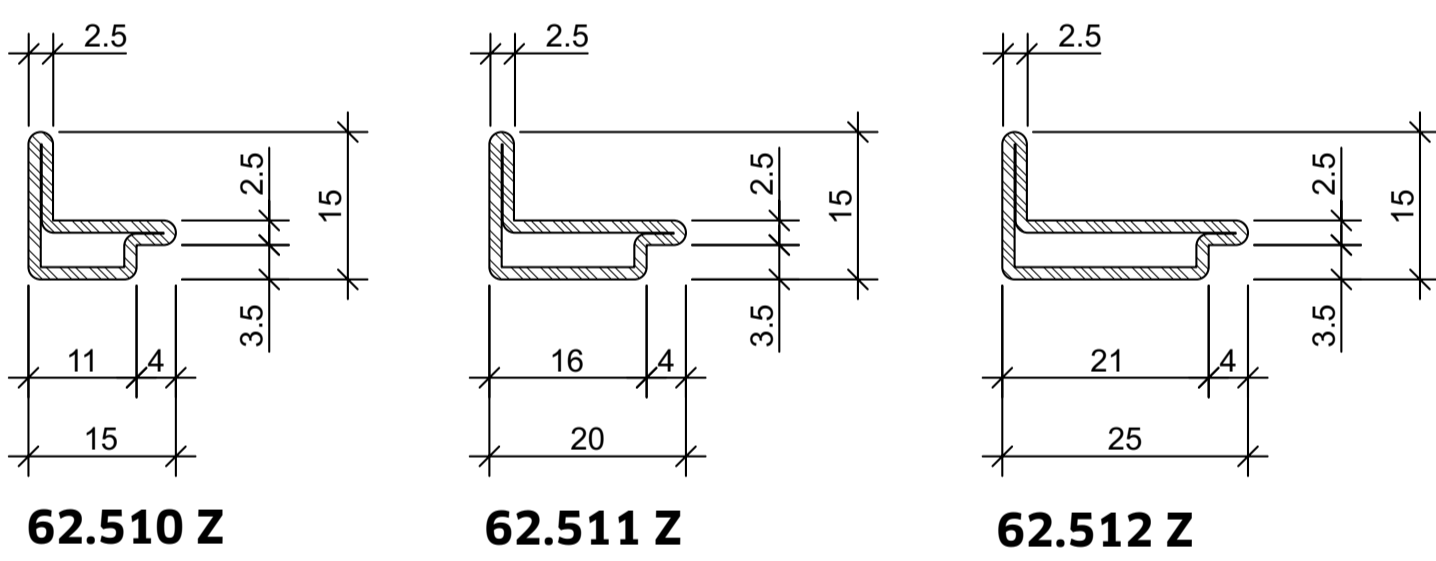
Design-glazing beads* in aluminum - height 20 mm



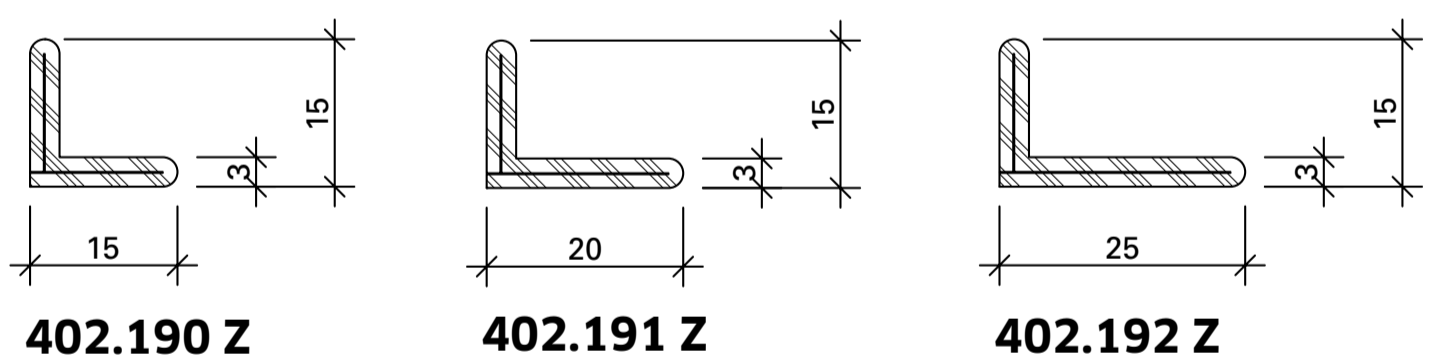
Glazing beads* in steel - height 15 mm



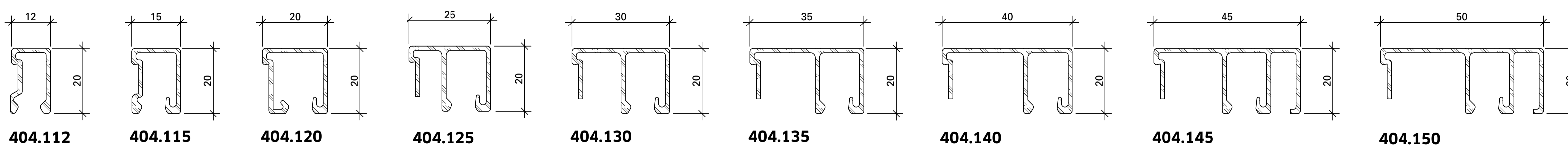
Glazing bead contour angles* in steel - height 15 mm



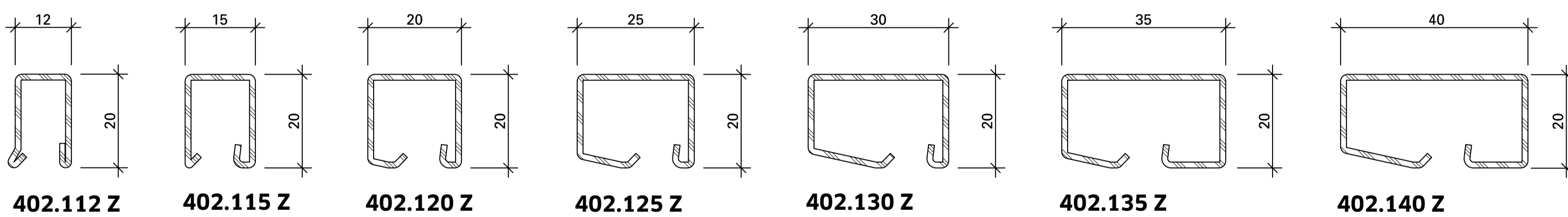
Glazing bead angles* in steel - height 15 mm



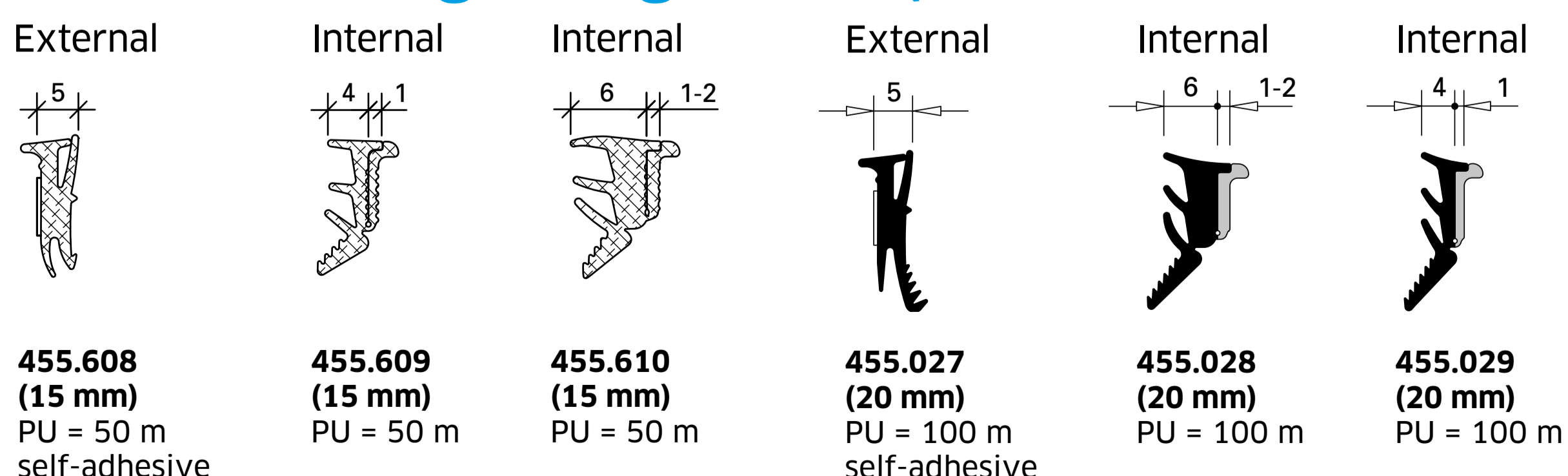
Glazing beads* in aluminum - height 20 mm



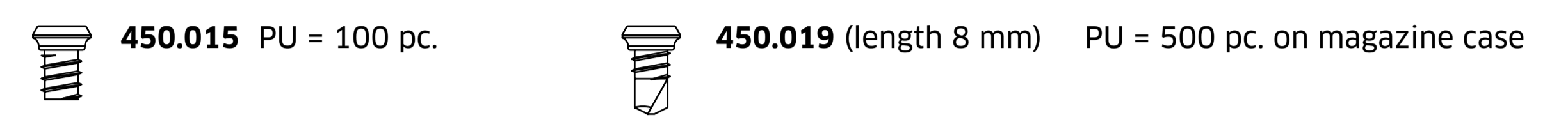
Glazing beads* in steel - height 20 mm



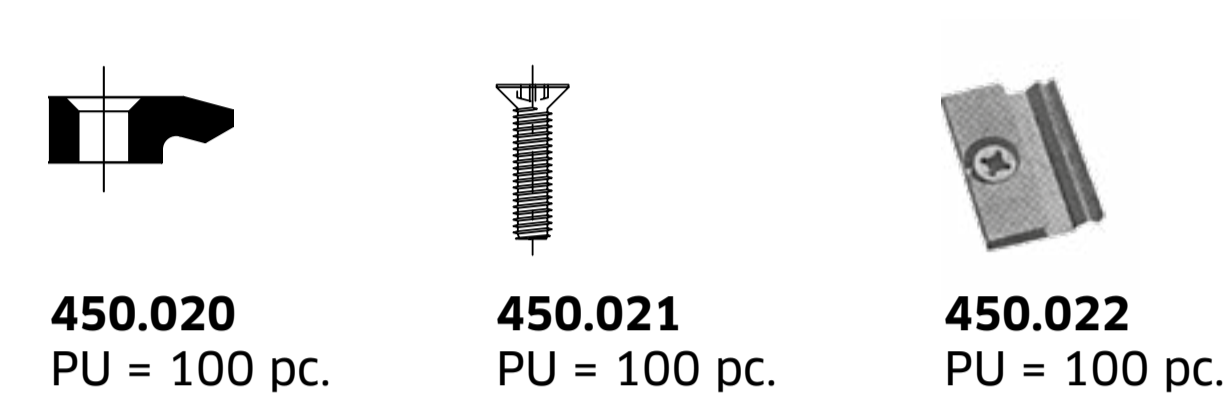
Gaskets for glazing bead (15 mm and 20 mm)



Fastening studs for glazing bead



Fixing springs for glazing bead



Fastening set for glazing bead (499.025)

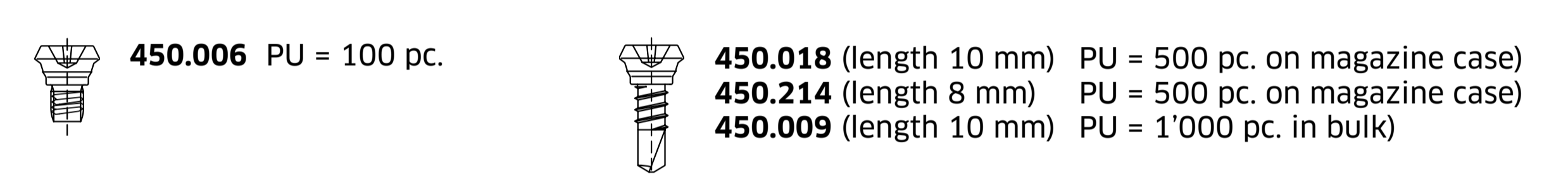


For placing fastening studs
450.018 / 450.214 / 450.019

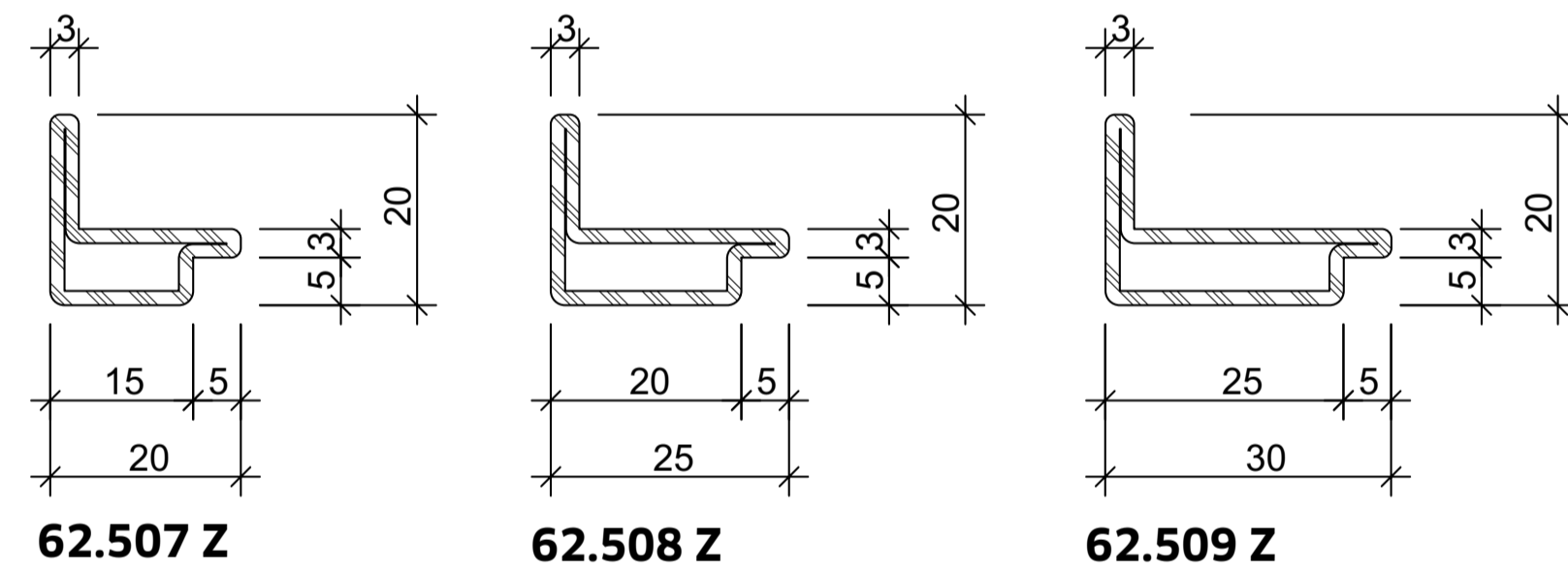
Surface / material of profiles

Part no.: Without ending in Z = bright steel
With ending in Z = strip galvanised steel

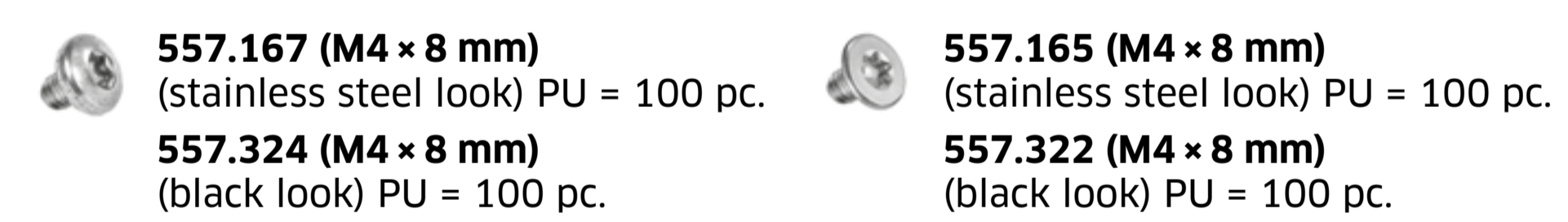
Fastening studs for glazing bead



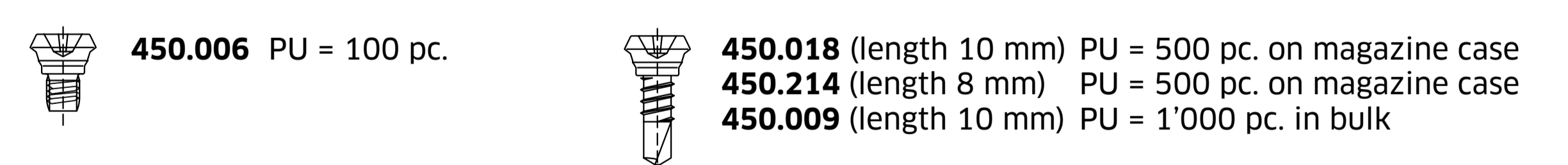
Glazing bead contour angels* in steel - height 20 mm



Fastening screws glazing bead angle



Fastening studs for glazing bead



Distance strip in white and black

